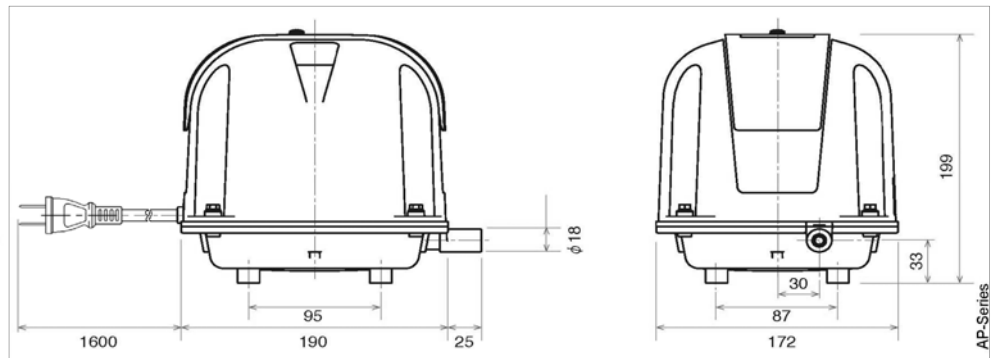


Flow at rated pressure

40 to 46 l/min



Dimensions in mm

### Pneumatic Data

Description	AP-30	AP-40
Part number <sup>1)</sup>	52500452	52500453
Flow at rated pressure	40 l/min	46 l/min
Rated pressure	120 mbar	120 mbar
Operating range	100 to 230 mbar	100 to 230 mbar

### Electrical Data

Motor type	linear drive	linear drive
Nominal voltage	230 V 50/60 Hz	230 V 50/60 Hz
Consumption at free flow	0,3 A / 32 W	0,4 A / 39 W
Consumption at rated pressure	0,28 A / 25 W	0,37 A / 29 W
Efficiency at rated pressure	0,63 W/l	0,63 W/l

### General Data

Ambient temperature	-10 to 40 °C	-10 to 40 °C
Weight	4,6 kg	4,6 kg
Outlet diameter	18 mm	18 mm
Average noise level	32 dB (A)	34 dB (A)

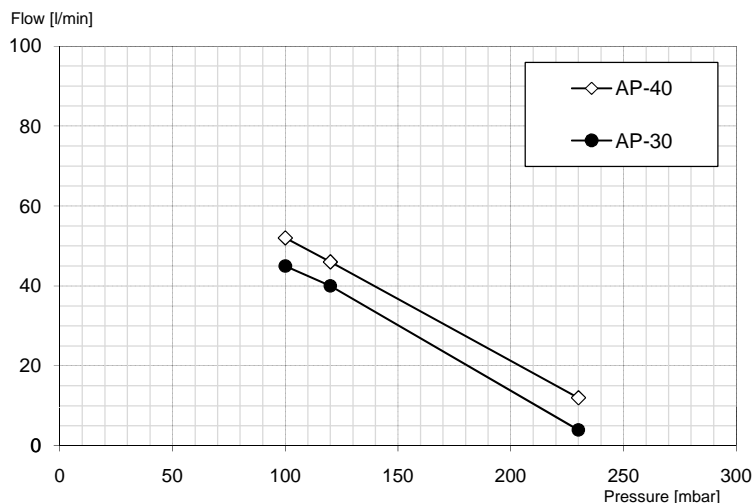
### Service Parts

	Part Numbers	
Chamber block set	700580	700580
Air filter and gasket kit	700582	700582
Air filter kit	700583	700583
Protective switch	-	-

Please refer to the operation and service manual for additional information.

All listed values are measured at standard atmospheric conditions and at 50 Hz.

### Flow Curves



### Service parts:

#### Chamber block set consists of:

- 2x Pump head with valves
- 2x Diaphragm
- 2x Diaphragm ring
- 2x Diaphragm gasket
- 2x Nut
- 2x Washer

#### Air filter and gasket kit consists of:

- 1x Air cleaner element
- 1x Air cleaner gasket
- 1x Cover plate gasket
- 1x Noise absorbing net
- 1x Tank gasket

#### Air filter kit consists of:

- 5x Air cleaner element
- 5x Air cleaner gasket

### Supplied as standard:

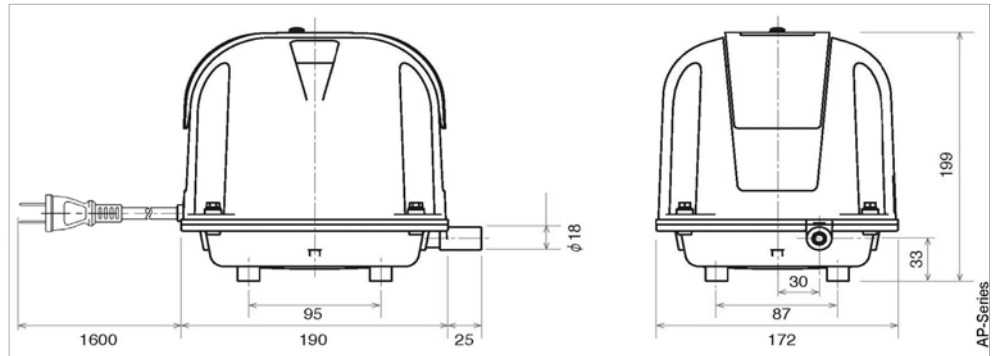
- Cable with Euro plug
- Air connector (part number 700073) consists of:
  - 1x Outlet hose, angled, 170/50 mm
  - 2x Hose clamp

525... Stock programme

The information presented in this material is based on technical data and test results of nominal units. It is believed to be accurate and reliable and is offered as an aid to help in the selection of Thomas products. It is the responsibility of the user to determine the suitability of the product for the intended use and the user assumes all risk and liability whatsoever in connection therewith. Thomas does not warrant, guarantee or assume any obligation or liability in connection with this information.

Flow at rated pressure

47 to 125 l/min



### Pneumatic Data

Description	AP-60N	AP-60/80	AP-80H	AP-100	AP-120
Part number <sup>1)</sup>	52500478	52500485	52500480	52500472	52500473
Flow at rated pressure	47 l/min	60 l/min	82 l/min	108 l/min	125 l/min
Rated pressure	200 mbar	200 mbar	200 mbar	200 mbar	200 mbar
Operating range	100 to 300 mbar	100 to 300 mbar	100 to 300 mbar	140 to 300 mbar	160 to 300 mbar

### Electrical Data

Motor type	linear drive	linear drive	linear drive	linear drive	linear drive
Nominal voltage	230 V 50/60 Hz	230 V 50/60 Hz	230 V 50/60 Hz	230 V 50/60 Hz	230 V 50/60 Hz
Consumption at free flow	0,3 A / 48 W	0,4 A / 57 W	0,95 A / 105 W	1,2 A / 126 W	1,6 A / 162 W
Consumption at rated pressure	0,26 A / 31 W	0,34 A / 41 W	0,8 A / 73 W	1,06 A / 99 W	1,45 A / 128 W
Efficiency at rated pressure	0,66 W/l	0,68 W/l	0,89 W/l	0,92 W/l	1,02 W/l

### General Data

Ambient temperature	-10 to 40 °C	-10 to 40 °C	-10 to 40 °C	-10 to 40 °C	-10 to 40 °C
Weight	5,8 kg	5,8 kg	6,1 kg	6,1 kg	6,1 kg
Outlet diameter	18 mm	18 mm	18 mm	18 mm	18 mm
Average noise level	34 dB (A)	34 dB (A)	35 dB (A)	37 dB (A)	38 dB (A)

### Service Parts

Service Parts	Part Numbers				
Chamber block set	700581	700581	700585	700585	700585
Air filter and gasket kit	700582	700582	700582	700582	700582
Air filter kit	700583	700583	700583	700583	700583
Protective switch	700586	700586	700586	700586	700586

<sup>1)</sup> Standard version with cable and Schuko plug; if signal cable for connection of e.g. light/ buzzer is needed please contact us

Please refer to the operation and service manual for additional information.

All listed values are measured at standard atmospheric conditions and at 50 Hz.

### Service parts:

#### Chamber block set consists of:

- 2x Pump head with valves
- 2x Diaphragm
- 2x Diaphragm ring
- 2x Diaphragm gasket
- 2x Nut
- 2x Washer

#### Air filter and gasket kit consists of:

- 1x Air cleaner element
- 1x Air cleaner gasket
- 1x Cover plate gasket
- 1x Noise absorbing net
- 1x Tank gasket

#### Air filter kit consists of:

- 5x Air cleaner element
- 5x Air cleaner gasket

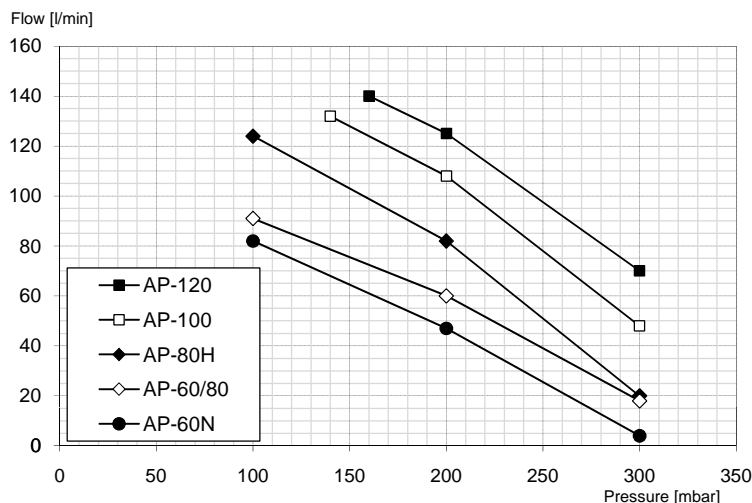
#### Protective switch consists of:

- 1x Microswitch
- 2x Nut
- 2x Washer
- 1x Cover plate gasket

#### Supplied as standard:

- Cable with Euro plug
- Air connector (part number 700073) consists of:
  - 1x Outlet hose, angled, 170/50mm
  - 2x Hose clamp

### Flow Curves



525... Stock programme

The information presented in this material is based on technical data and test results of nominal units. It is believed to be accurate and reliable and is offered as an aid to help in the selection of Thomas products. It is the responsibility of the user to determine the suitability of the product for the intended use and the user assumes all risk and liability whatsoever in connection therewith. Thomas does not warrant, guarantee or assume any obligation or liability in connection with this information.